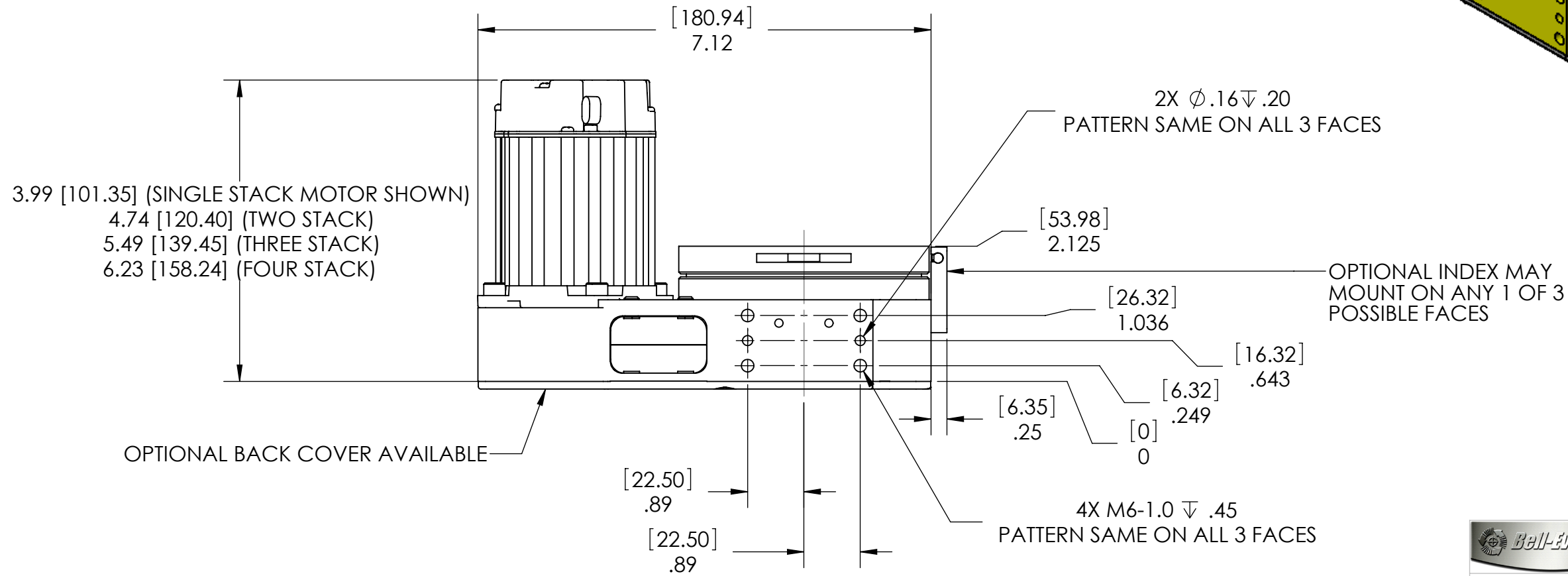
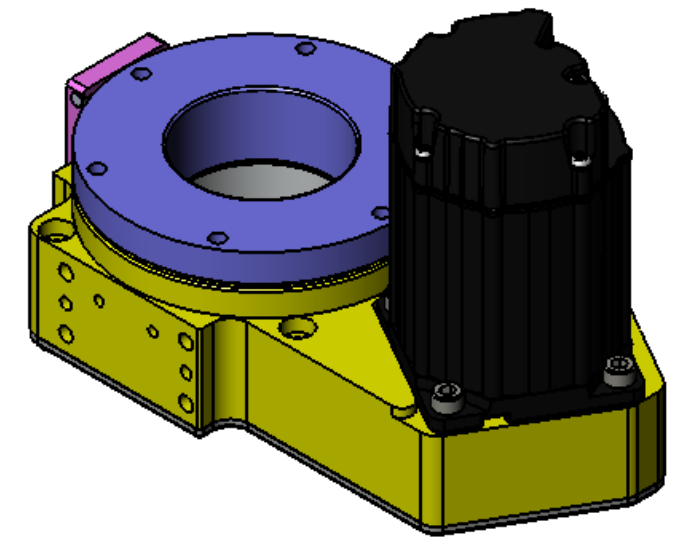
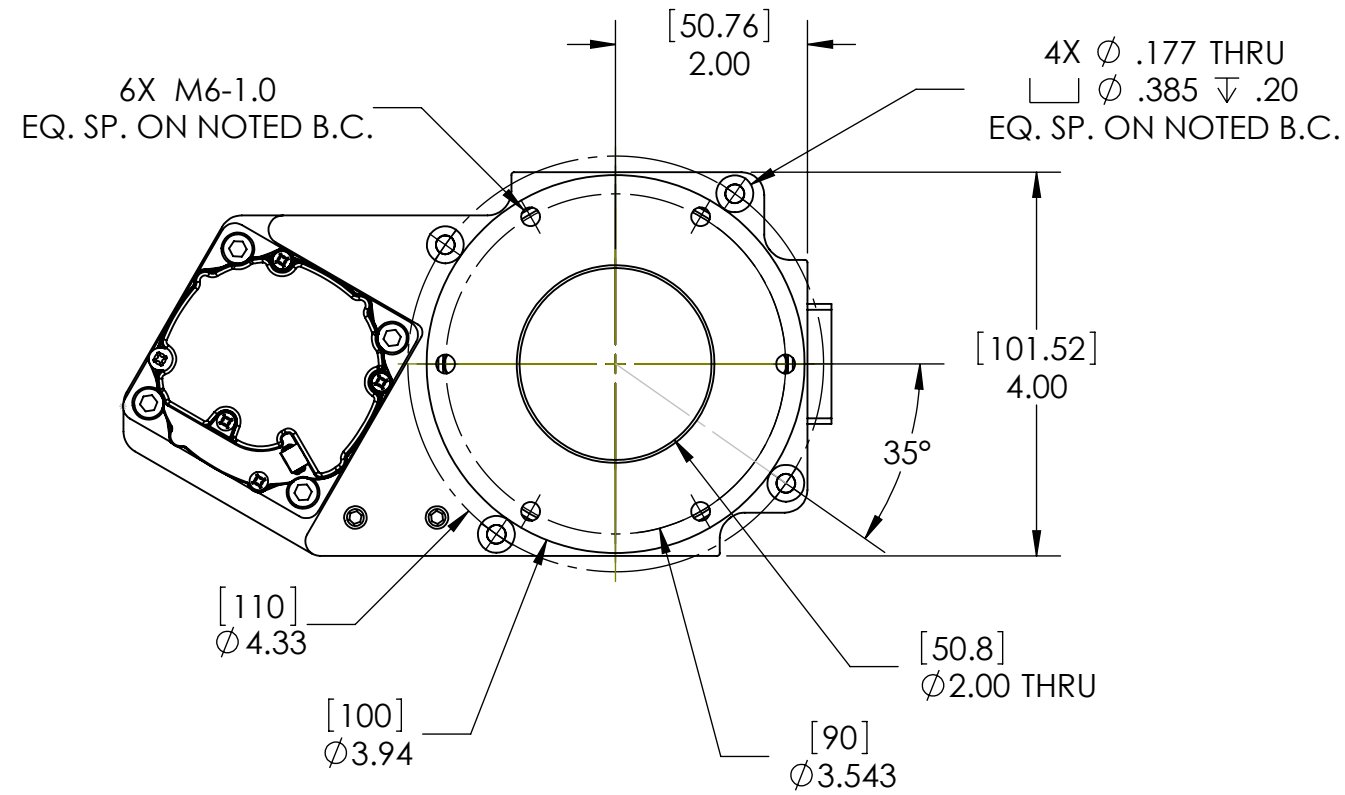


REFERENCE DRAWING



DIMENSIONS ARE IN INCHES UNLESS OTHERWISE SPECIFIED.
TOLERANCES ARE: DECIMAL INCH TOL: .X \pm .1
.XX \pm .01
.XXX \pm .005
.XXXX \pm .0005

ANGULAR: \pm .5°
BREAK CORNERS: .005-.020
FILLET RADII: .005-.020

Bell-Everman 82 Aero Camino, Goleta, CA 93117
(805) 685-1029 FAX: (805) 685-6787

TITLE MOTOR UP		REV A
SIZE B	DRAWING NO. SBR-50	
SCALE: 1:2	SHEET 1 OF 1	