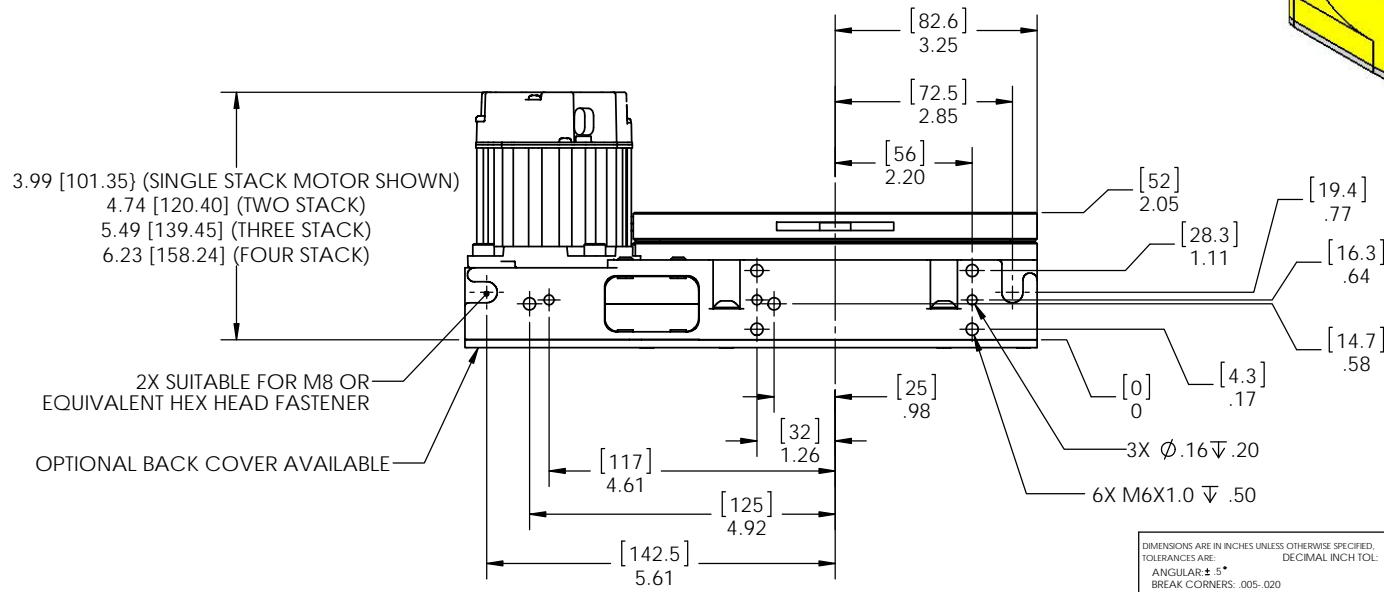
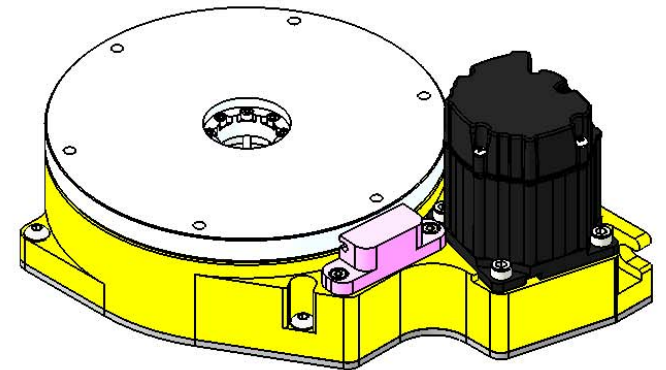
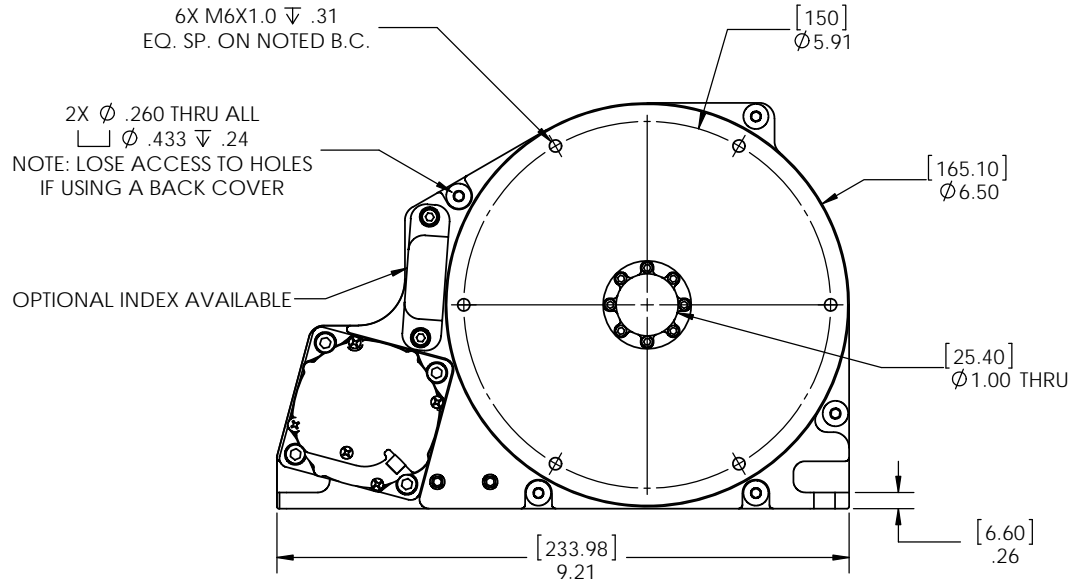


REFERENCE DRAWING



DIMENSIONS ARE IN INCHES UNLESS OTHERWISE SPECIFIED.
TOLERANCES ARE: DECIMAL INCH TOL: X .1
ANGULAR: \pm 5° XX \pm .01
BREAK CORNERS: .005-.020 XXX \pm .005
FILLET RADII: .005-.020 XXXX \pm .0005

Bell Everman		82 Aero Camino, Goleta, CA 93117 (805) 685-1029 FAX: (805) 685-6787	
TITLE MOTOR UP			
SIZE B	DRAWING NO. SBR-25-51	REV -	
SCALE: 1:2		SHEET 1 OF 1	