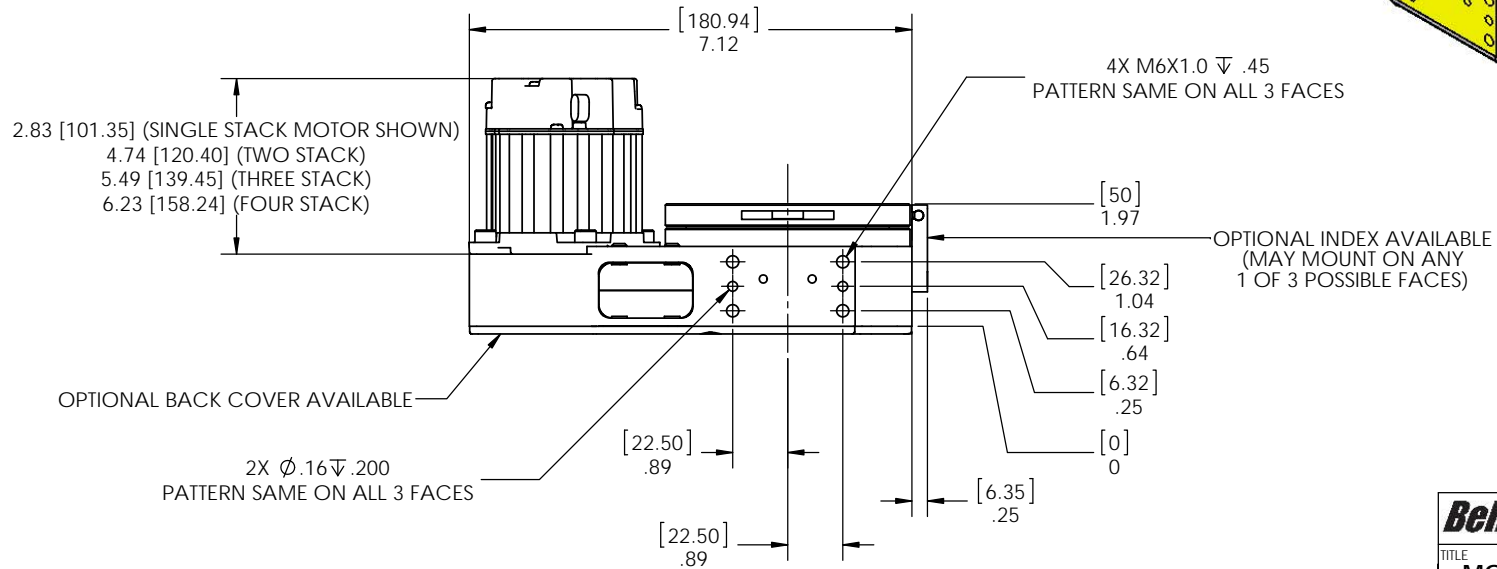
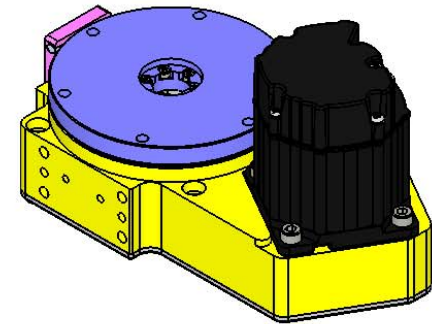
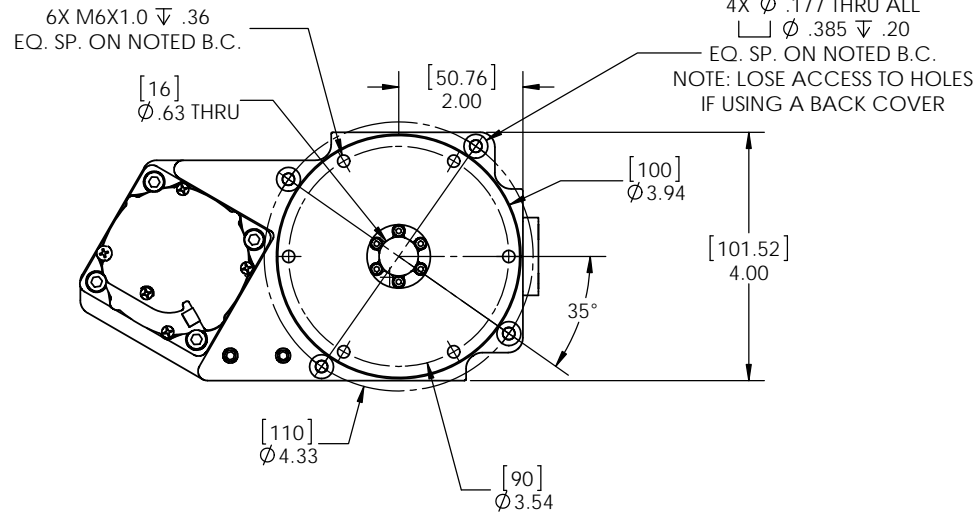


REFERENCE DRAWING



DIMENSIONS ARE IN INCHES UNLESS OTHERWISE SPECIFIED.
 TOLERANCES ARE: DECIMAL INCH TOL: X ±.1
 ANGULAR: ±.5° XXX ±.01
 BREAK CORNERS: .005-.020 XXXX ±.005
 FILLET RADII: .005-.020 XXXX ±.0005

Bell Everman		82 Aero Camino, Goleta, CA 93117 (805) 685-1029 FAX: (805) 685-6787	
TITLE MOTOR UP			
SIZE B	DRAWING NO. SBR-16-31	REV -	
SCALE: 1:2		SHEET 1 OF 1	