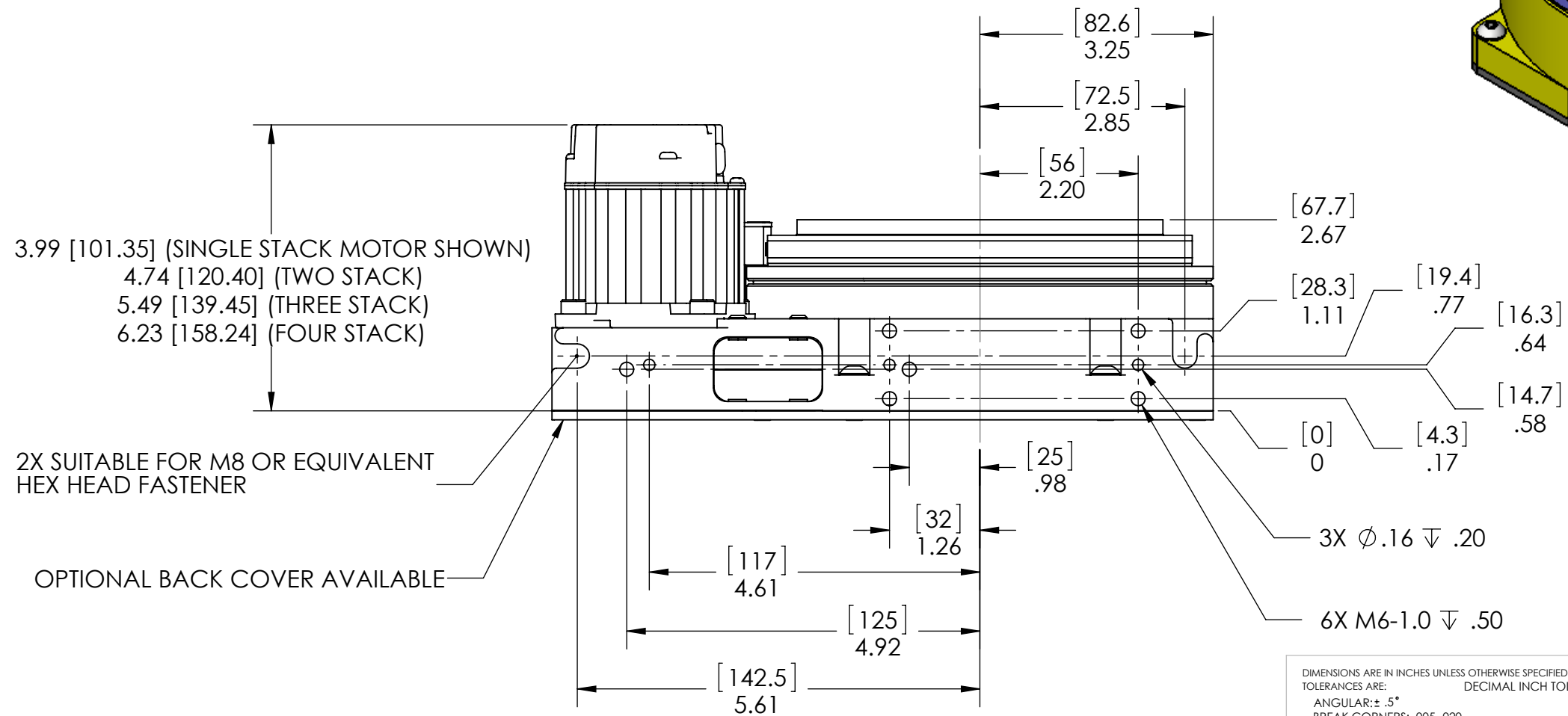
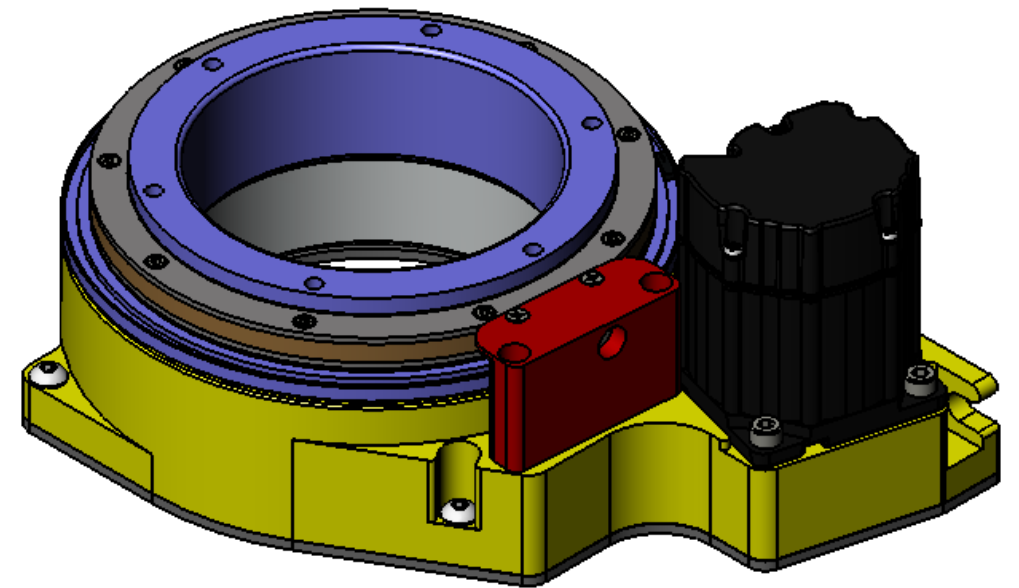
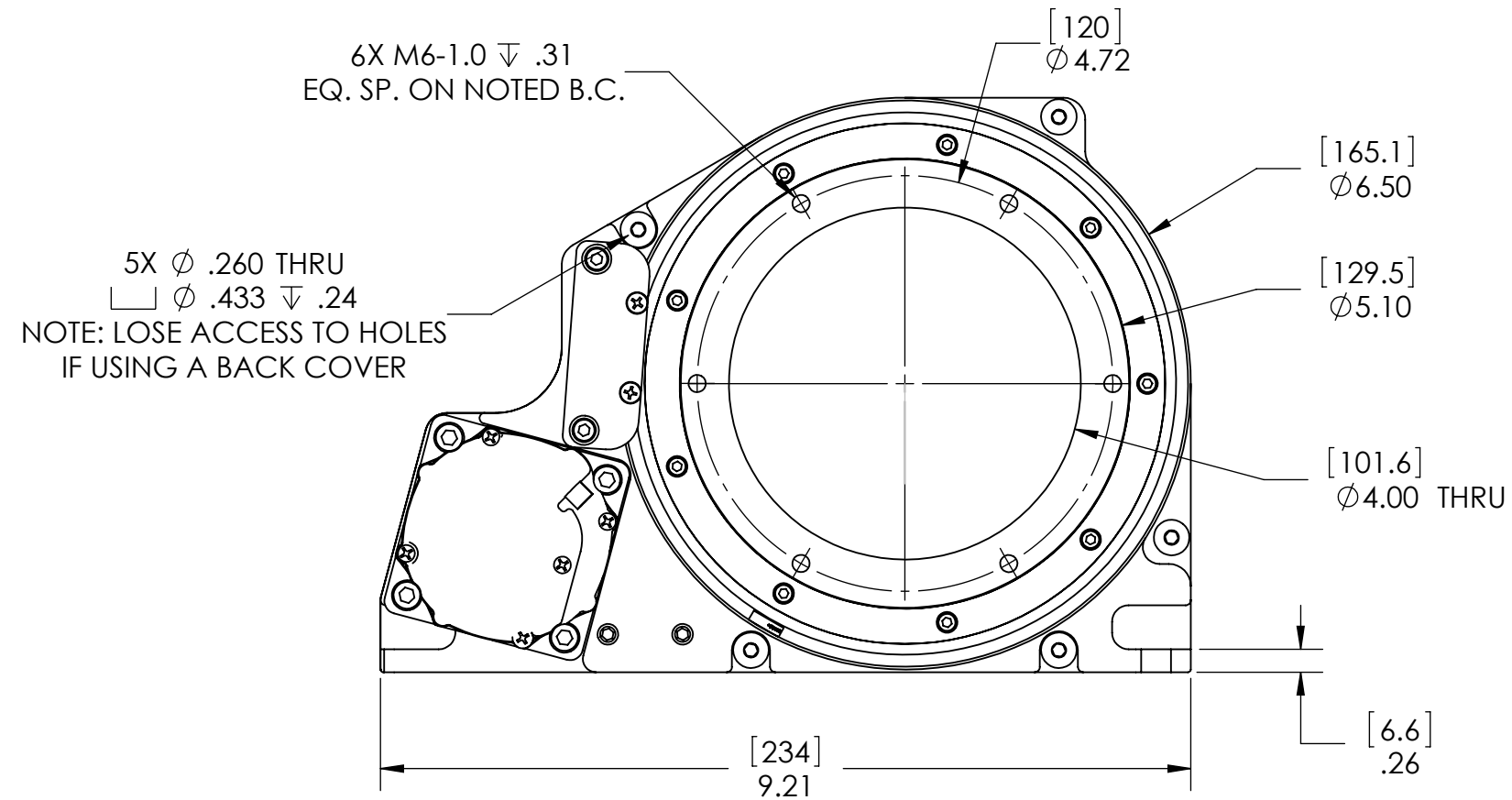


REFERENCE DRAWING



DIMENSIONS ARE IN INCHES UNLESS OTHERWISE SPECIFIED.
TOLERANCES ARE: DECIMAL INCH TOL: .X \pm .1
.XX \pm .01
.XXX \pm .005
.XXXX \pm .0005
ANGULAR: \pm .5°
BREAK CORNERS: .005-.020
FILLET RADII: .005-.020



82 Aero Camino, Goleta, CA 93117
(805) 685-1029 FAX: (805) 685-6787

TITLE
MOTOR UP RING ENCODER

SIZE B DRAWING NO. **SBR-100**

REV **A**

SCALE: 1:2

SHEET 1 OF 1