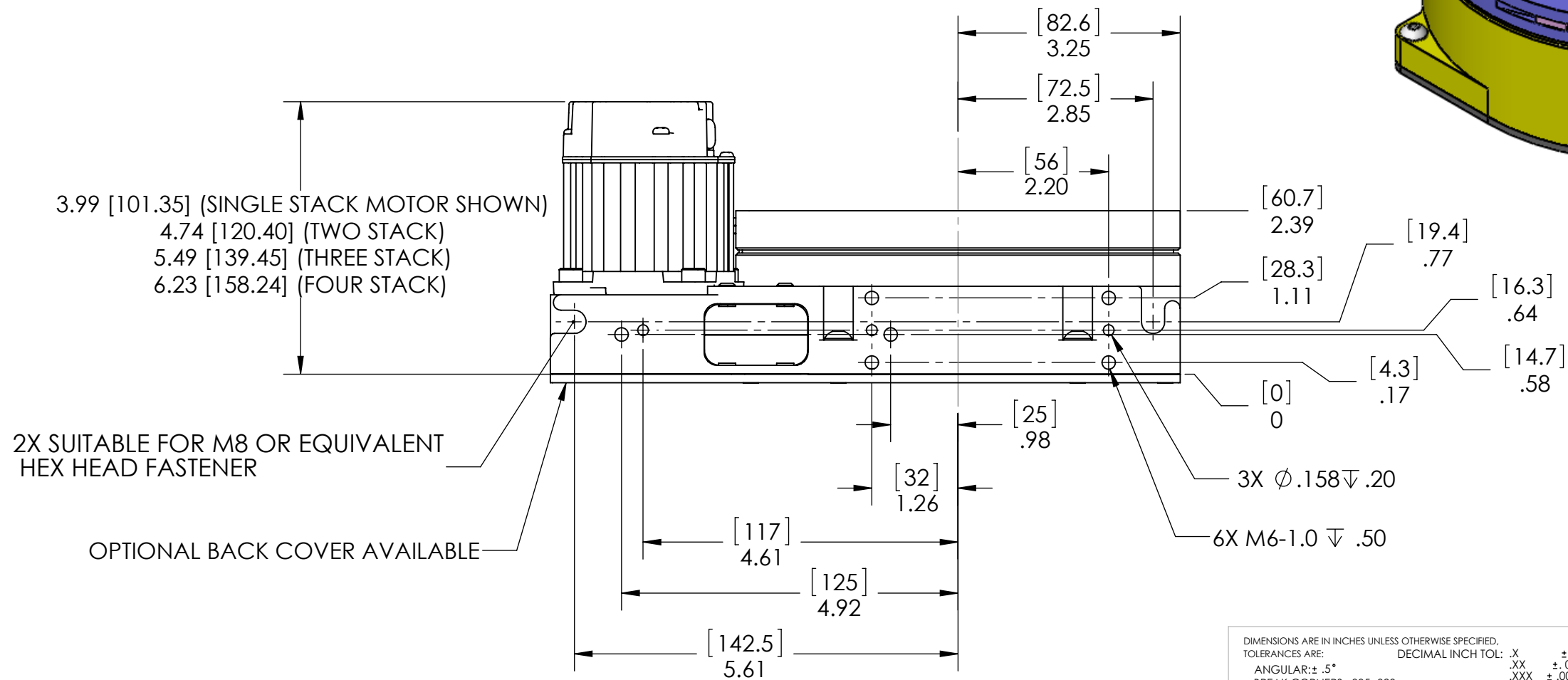
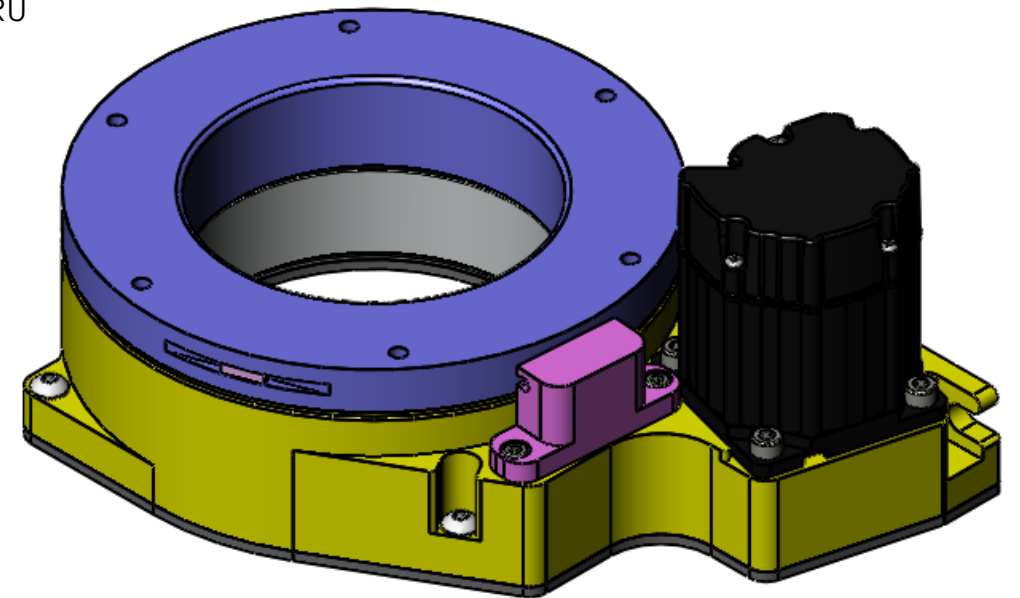
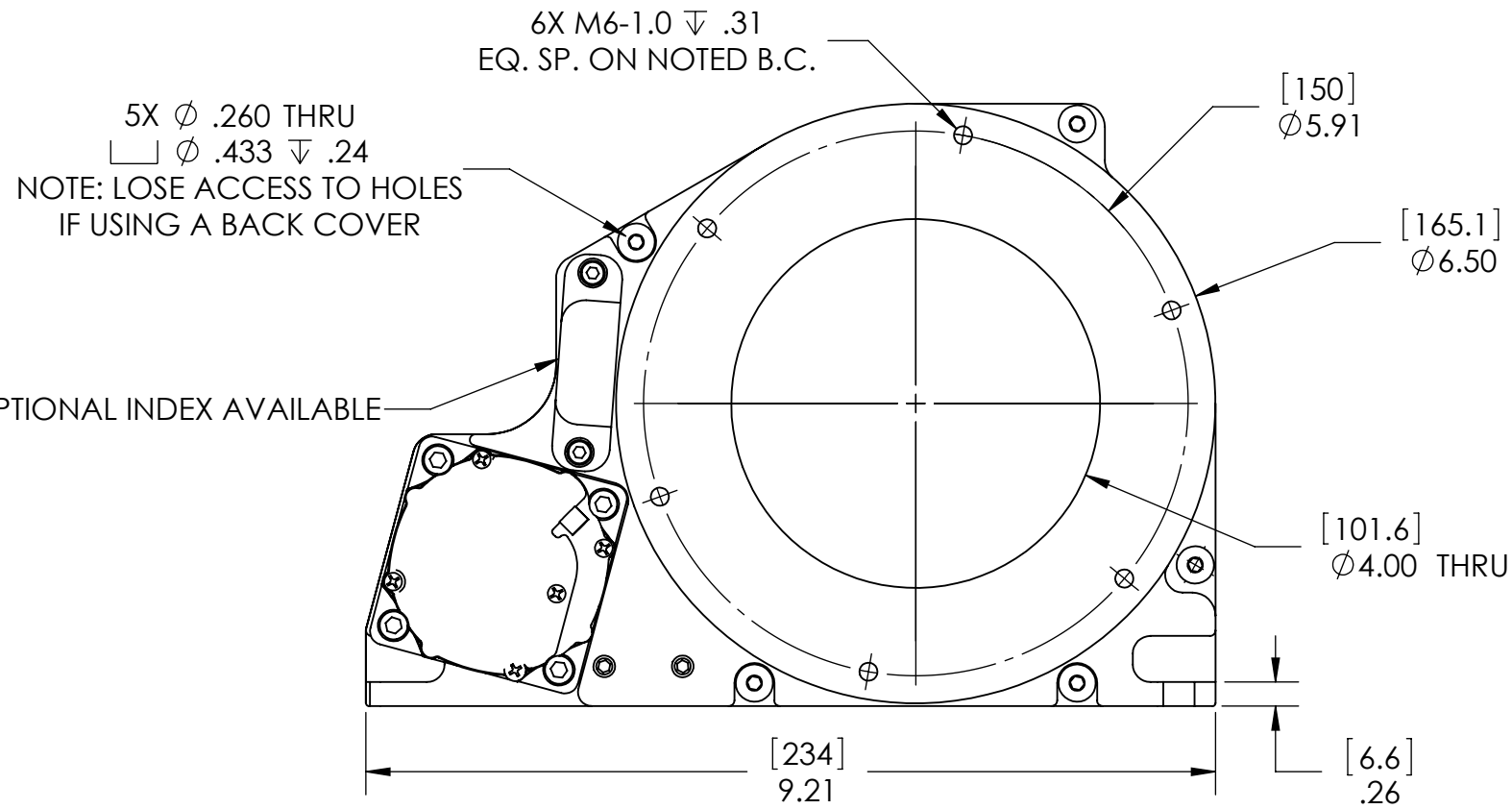


# REFERENCE DRAWING



DIMENSIONS ARE IN INCHES UNLESS OTHERWISE SPECIFIED.  
 TOLERANCES ARE:  
 ANGULAR:  $\pm$  .5°  
 BREAK CORNERS: .005-.020  
 FILLET RADII: .005-.020

DECIMAL INCH TOL:  
 .X  $\pm$  .1  
 .XX  $\pm$  .01  
 .XXX  $\pm$  .005  
 .XXXX  $\pm$  .0005



82 Aero Camino, Goleta, CA 93117  
 (805) 685-1029 FAX: (805) 685-6787

TITLE		MOTOR UP	
SIZE	DRAWING NO.	SBR-100	
B		REV	A
SCALE: 1:2		SHEET	1 OF 1