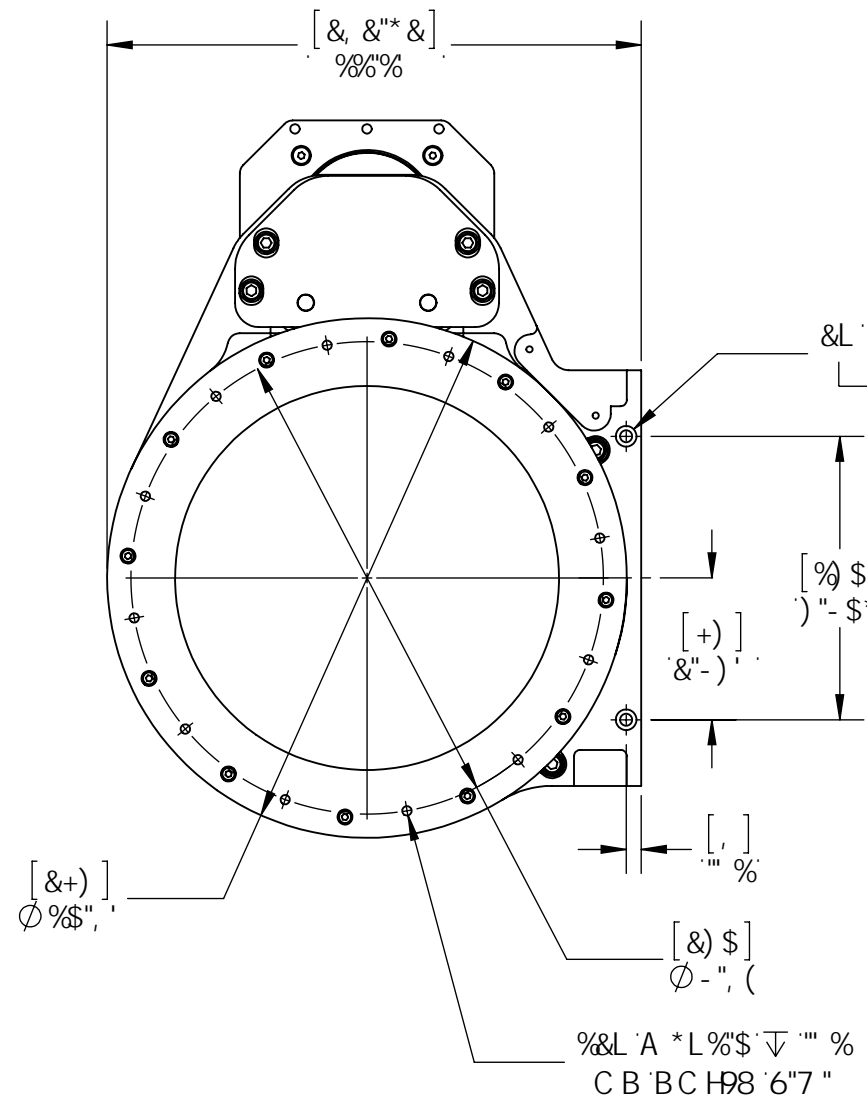


H:9 B: CFA 5HC B 7 CBH5 B98 "B" H:G 8F5K B: "G" H:9 GC @ DFCD9FHC:
 69@9J 9FA 5BZ B7 "5B MF9DFC 8I 7HC B "B" D5FHCF "K <C @ K H:CI H
 H:9 K F H@B "D9FA GGC B "C: "69@9J 9FA 5BZ B7 "G DFC <6H@B"

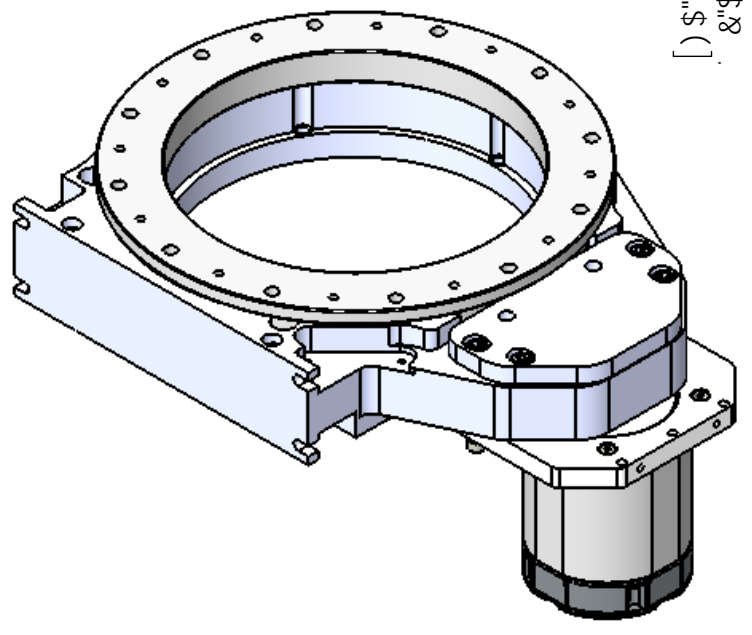
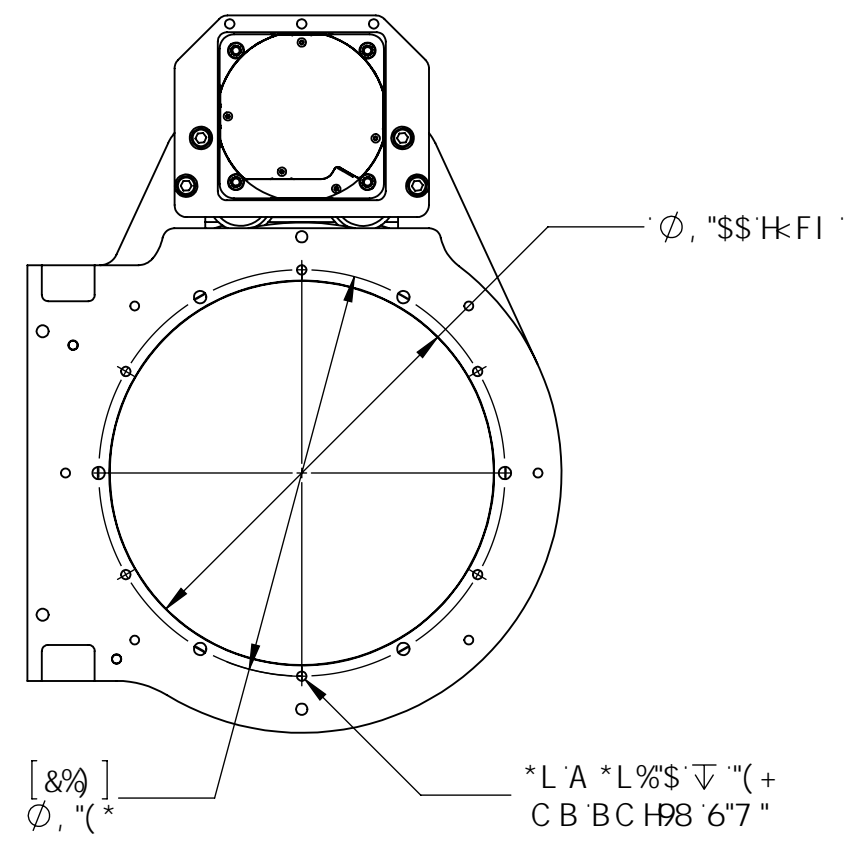
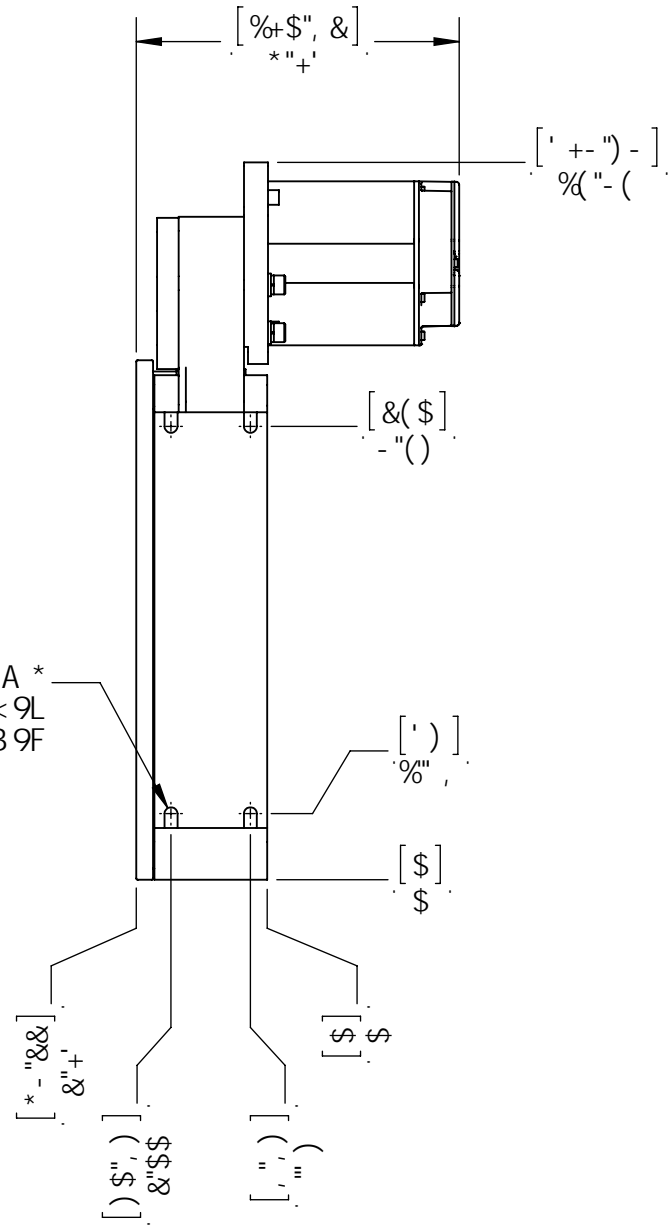
8F5K B: "G D9F 7 98 9G 69-G DD@98 9@7 HFC B-7 85H5"
 D@95 G9 B C H: M69-C: 5B M8 67 F 9D5 B 7 9G

REVISIONS	
REV	DESCRIPTION/ECO
-	2009 INITIAL RELEASE

8
7
6
5



(L'G #56@: CFA *
 CF 9E I 5 @BH < 9L
 < 958 : 5GH B 9F



8 A 9B GC BG5F9 B B7 - 9G1 B @GGC H: 9FK 69 CD97 = 98Z HC @F 5B7 9G5F9 B97 A 5 @B7 < HC @	"L" + % "LL" + % "LLL" + % "LLLL" + %
5 B: I @F ± *) 6 F 95 ? 7 C FB 9F G "SS" ! "\$& : @9 HF5 B = "SS" ! "\$&	
A 5 HF 5 @	B HF DF 9 H 8 F 5 K B: D 9 F 5 B G H M ("SS" ! "\$&
: B G:	H: F B 5 B: @ G 99 97 C : C F 8 F 5 K B: 5 D D F C J 5 @

Bell Everman © 2009 Bell & Howell Company

G6F!&\$\$!' (' D! 8B!%?!LL!<G\$! B'
89@ 9F56@5CG9A 6@M

GAD 8F5K B: 'BC" %\$(* (!\$\$& F9J
 6 !

G7 5 @. % (G: 99H % C: %

BC H9G

8
7
6
5

! (' D! 8B!%?!LL!<G\$! B' 89@ 9F56@5CG9A 6@M