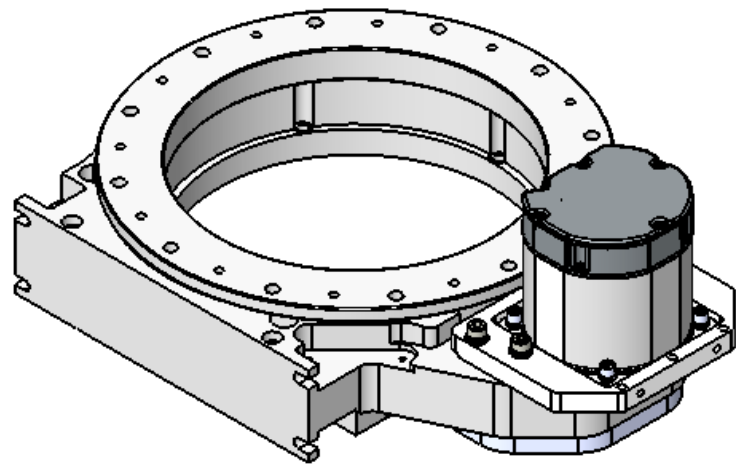
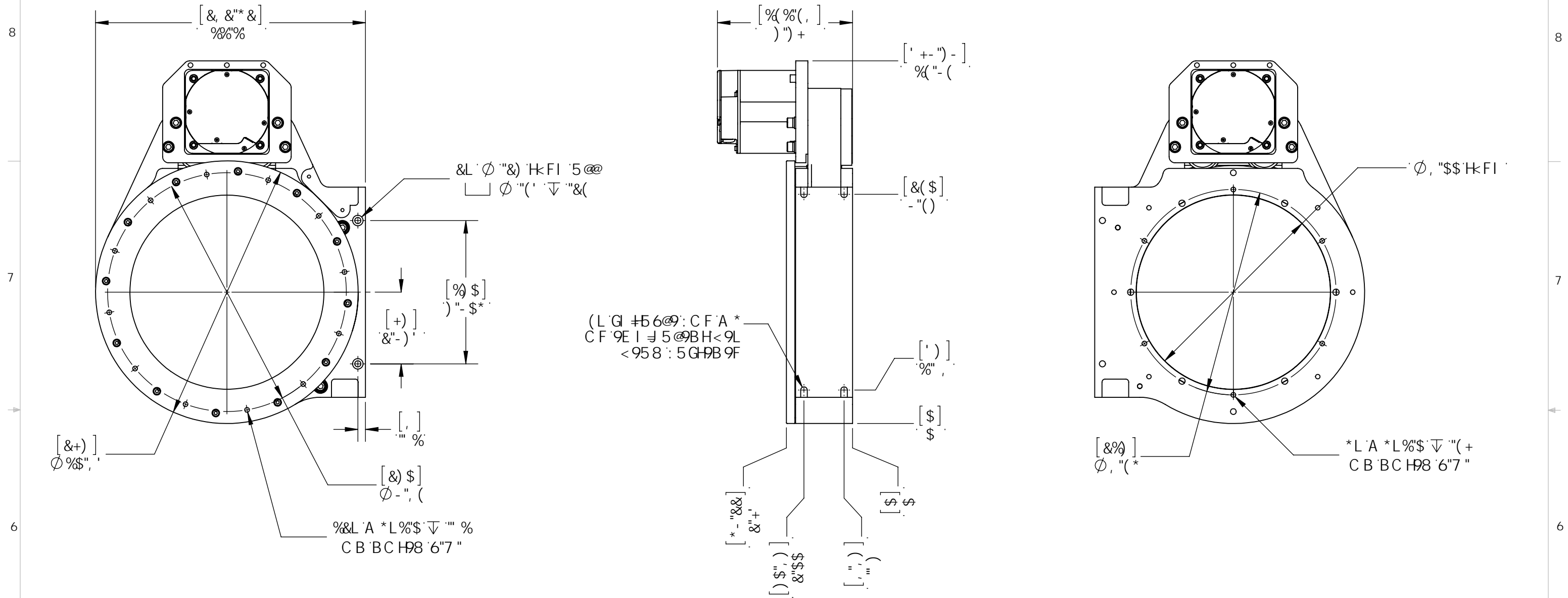


H:9 B: CFA 5HC B 7 CBH5 B98 B H:G 8F5K B: G H:9 GC @ DFCD9FHM C:  
 69 @ 9J 9FA 5B2 B7 5BMF9DFC 8I 7HC B B D5FHCF K < C @ K H:CI H  
 H:9 K F H9B D9FA GGC B C: 69 @ 9J 9FA 5B2 B7 G DFC < 6H98

8F5K B: G D9F 7 98 9G 69-G DD @ 98 9 @ 97 HFC B-7 85H5  
 D @ 95 G9 B C H: M69-C: 5BMB 67 F9D5 B7 9G

REVISIONS	
REV	DESCRIPTION/ECO
-	2009 INITIAL RELEASE



8 A 98 G C B G 5 F 9 B B 7 - 9 G 1 B @ G G C H: 9 F K @ 9 D 9 7 = 9 8 2 H C @ F 5 B 7 9 G 5 F 9 B 9 7 A 5 @ B 7 < H C @	L' ..... + % " L L ..... + % \$ % " L L L ..... + % \$ \$ % " L L L L ..... + % \$ \$ \$ %
5 B: 1 @ 5 F ± *) 6 F 9 5 ? 7 C F B 9 F G " \$ \$ ) ! " \$ & \$ : @ 9 H F 5 B = " \$ \$ ) ! " \$ & \$	
A 5 H F 5 @	B H F D F 9 H 8 F 5 K B: D 9 F 5 B G H M ( " \$ \$ ! & \$ \$ \$
: B G:	H: F B 5 B: @ G 9 9 9 7 C : C F 8 F 5 K B: 5 D D F C J 5 @

**Bell Everman** © 2009 Bell & Howell Company

**G6F! &\$\$!' ( &D! D! % ? ! L L ! < G \$ ! B ' 89 @ 9 F 5 6 @ 5 G 9 A 6 @ M**

GAD 8F5K B: 'BC" %\$( \* ' ! \$ \$ % F9J !

G7 5 @ % ( G: 9 9 H % C: %

BC H9G