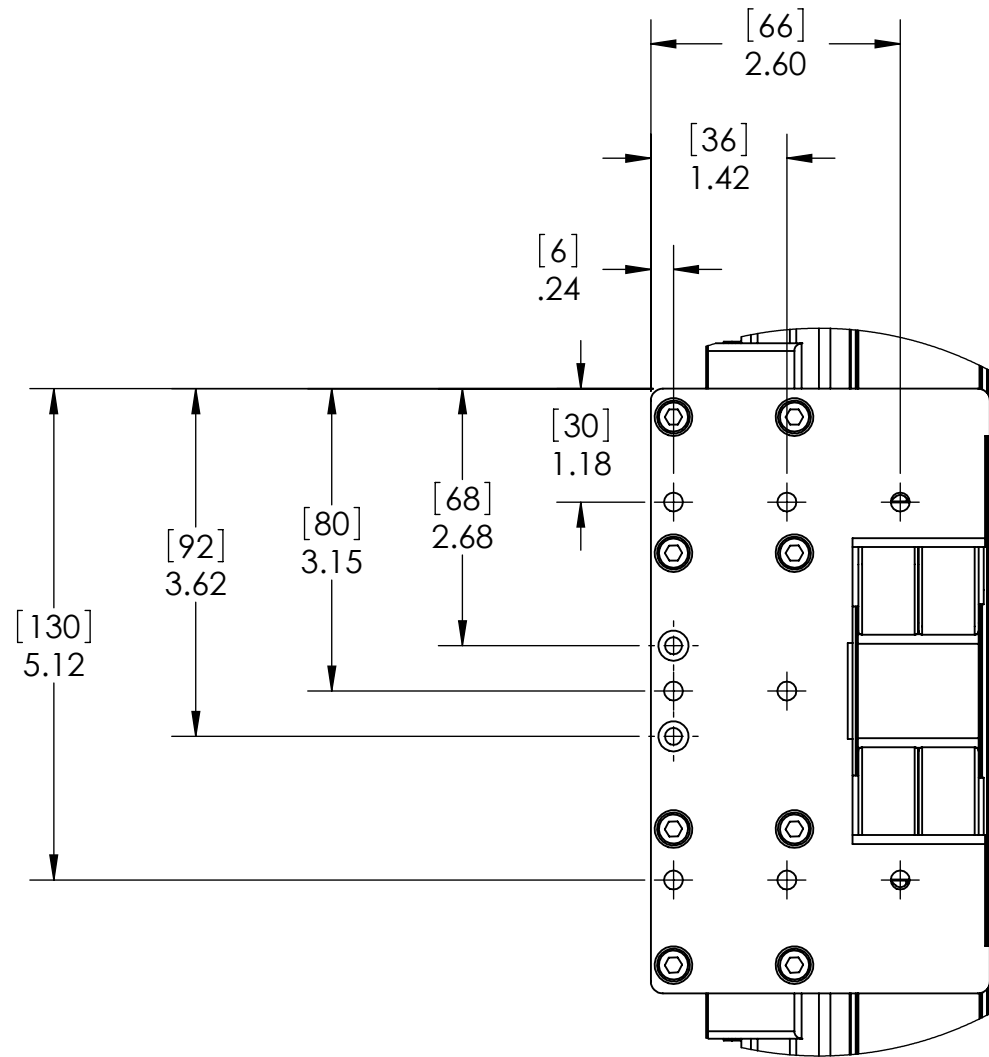
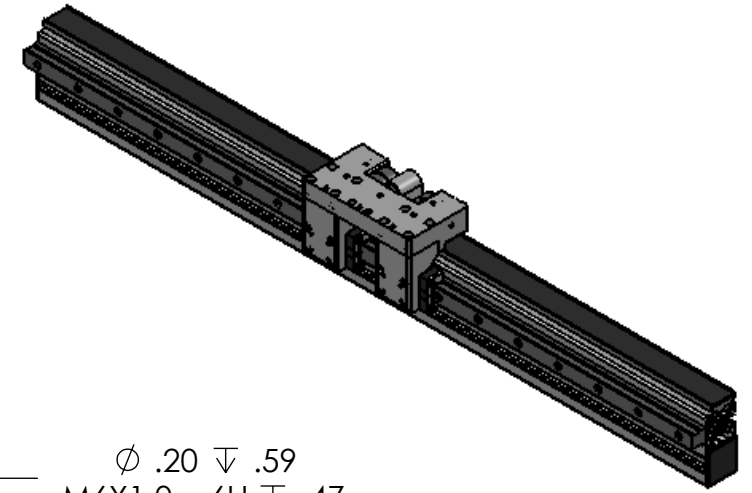
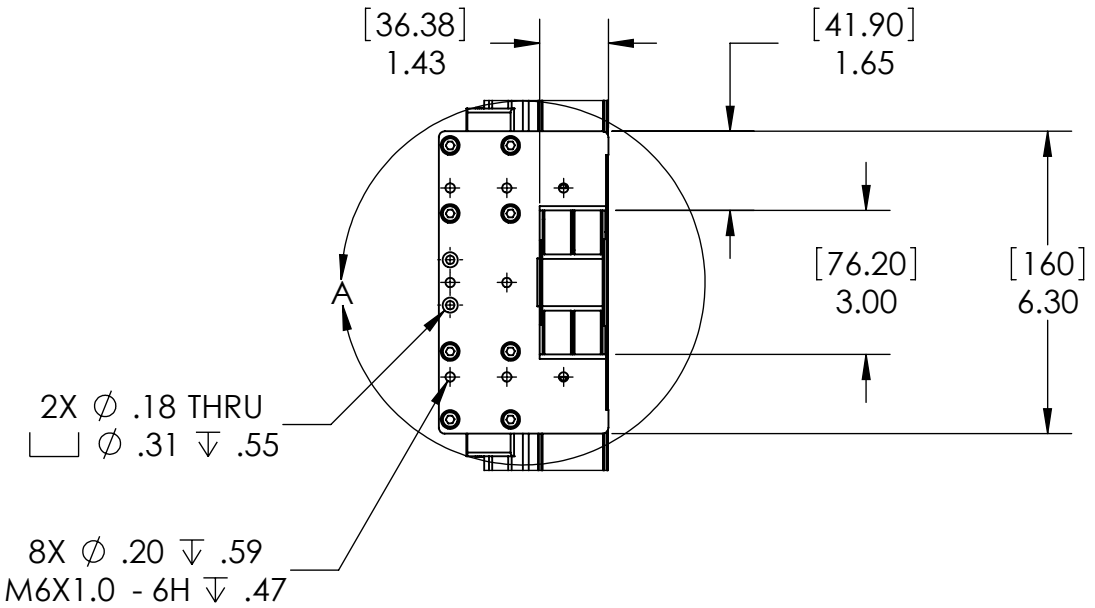
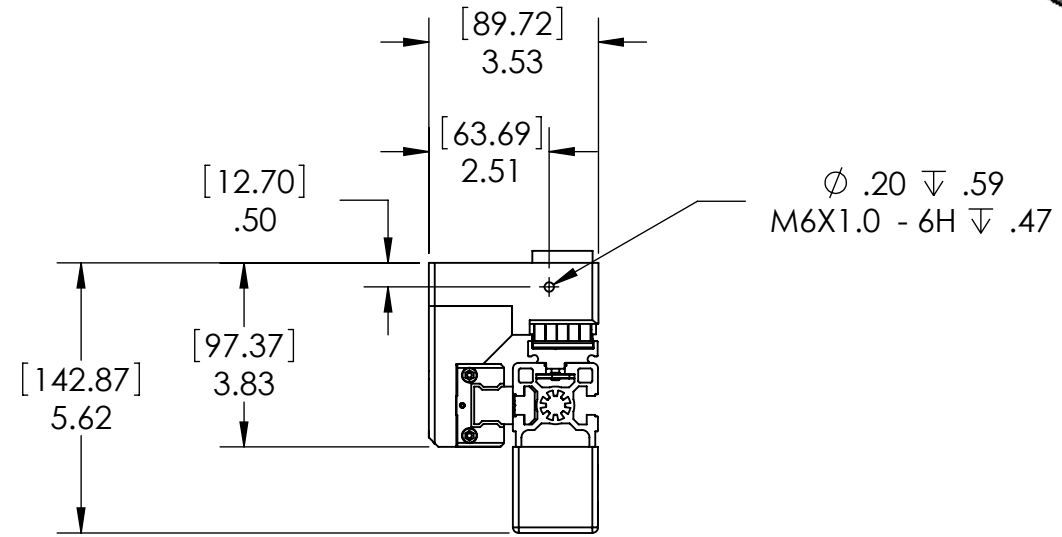


THE INFORMATION CONTAINED IN THIS DRAWING IS THE SOLE PROPERTY OF BELL-EVERMAN, INC. ANY REPRODUCTION IN PART OR WHOLE WITHOUT THE WRITTEN PERMISSION OF BELL-EVERMAN, INC. IS PROHIBITED.



DETAIL A
SCALE 1 : 2



DIMENSIONS ARE IN INCHES UNLESS OTHERWISE SPECIFIED.
 TOLERANCES ARE: DECIMAL INCH TOL: .X ±.1
 .XX ±.01
 .XXX ±.005
 .XXXX ±.0005
 ANGULAR: ± .5°
 BREAK CORNERS: .005-.020
 FILLET RADII: .005-.020



82 Aero Camino, Goleta, CA 93117
 (805) 685-1029 FAX: (805) 685-6787

TITLE
SBL-M 45x90 WRAP CARRIAGE

| | | |
|------------|-------------|--------------|
| SIZE B | DRAWING NO. | REV - |
| SCALE: 1:4 | | SHEET 1 OF 1 |