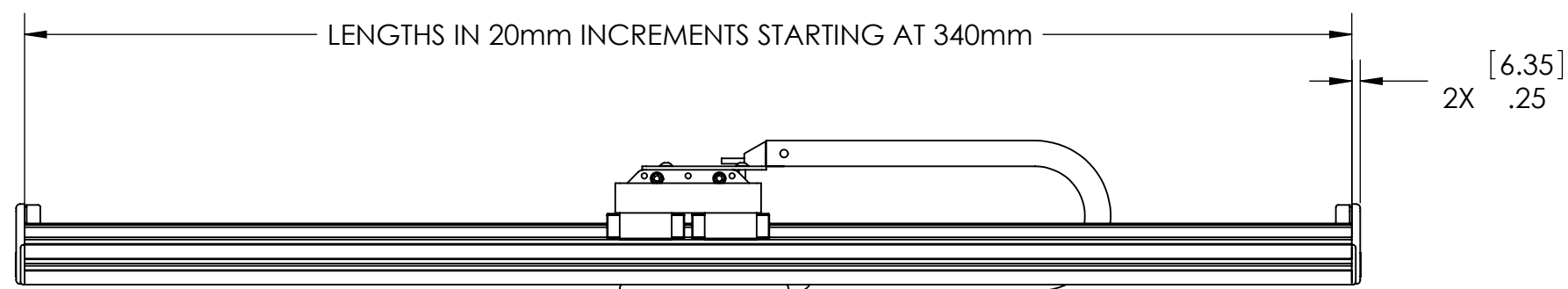
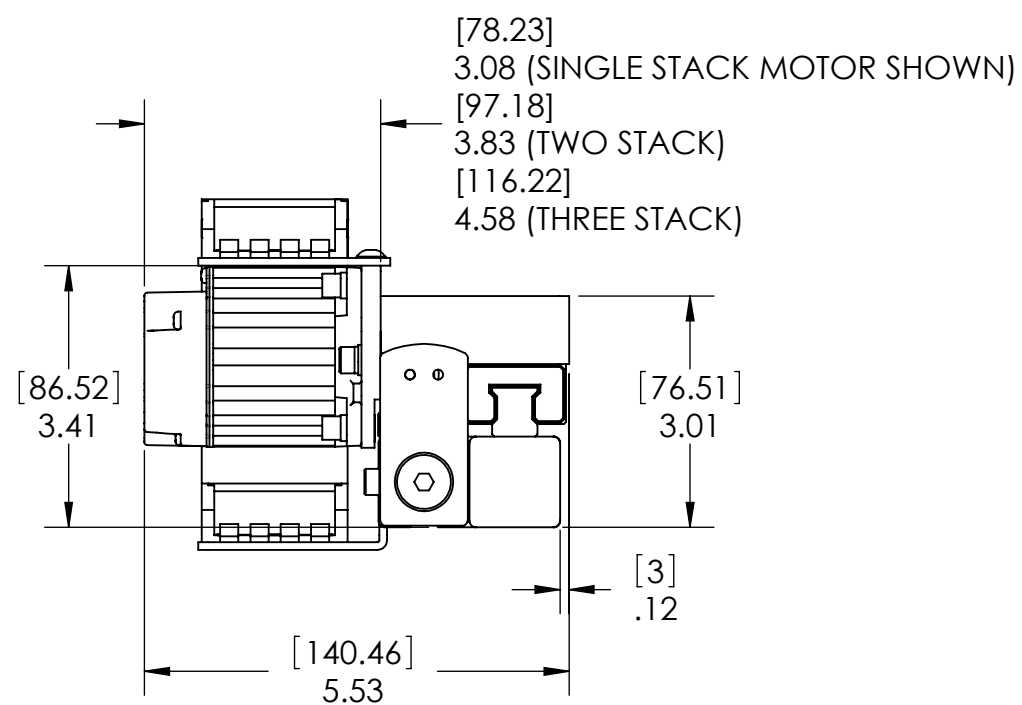
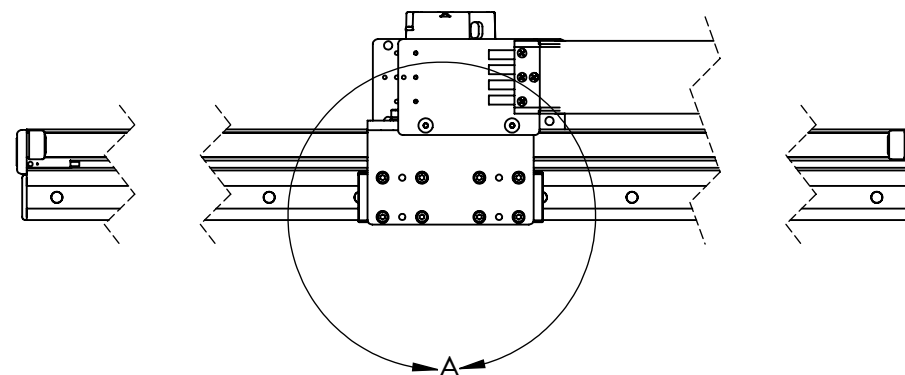
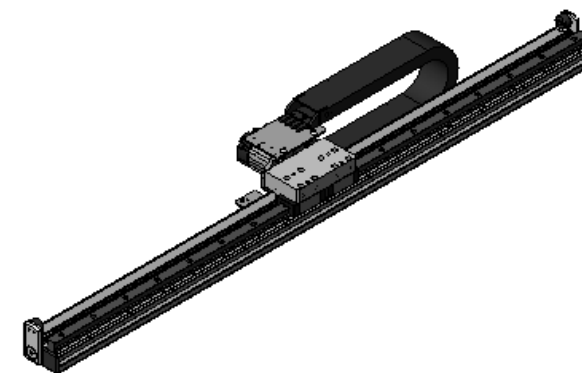
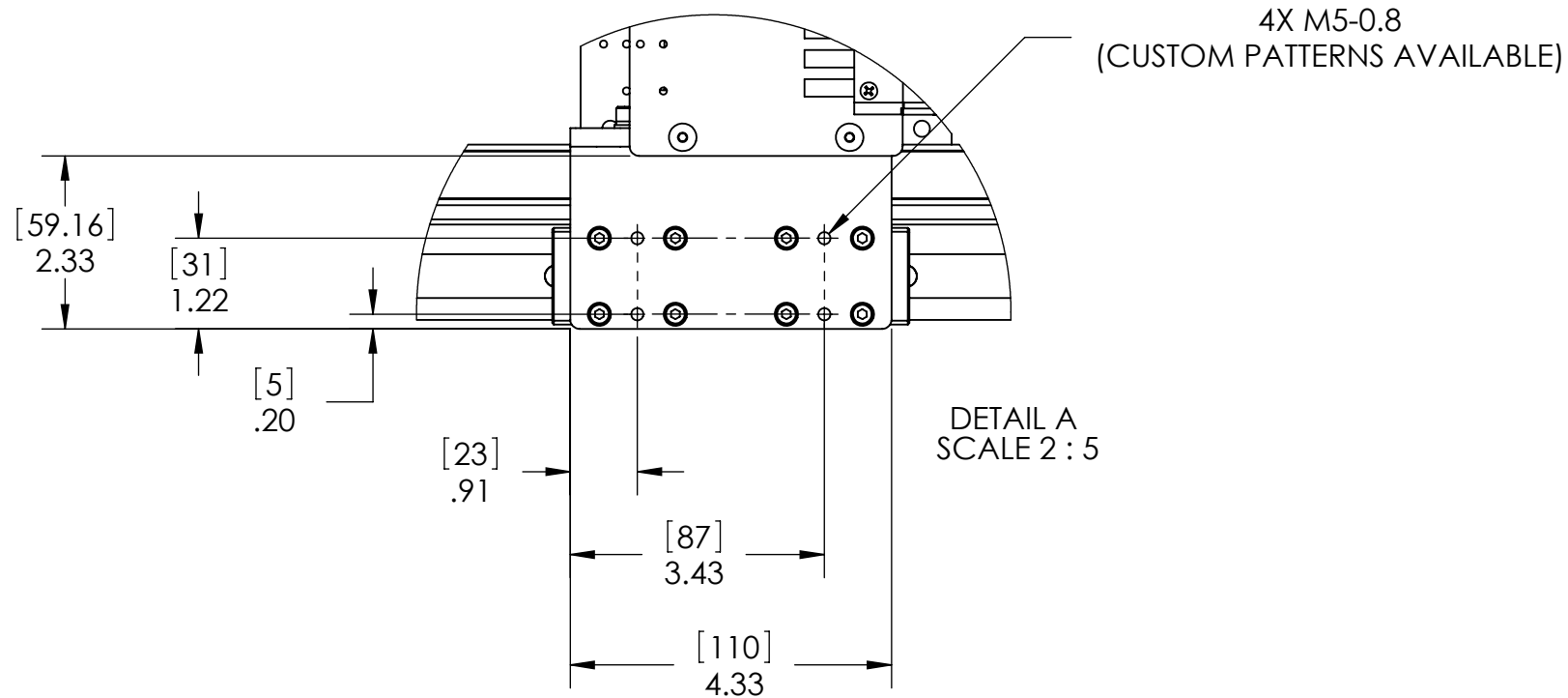


THE INFORMATION CONTAINED IN THIS DRAWING IS THE SOLE PROPERTY OF BELL-EVERMAN, INC. ANY REPRODUCTION IN PART OR WHOLE WITHOUT THE WRITTEN PERMISSION OF BELL-EVERMAN, INC. IS PROHIBITED.



DIMENSIONS ARE IN INCHES UNLESS OTHERWISE SPECIFIED.
TOLERANCES ARE: DECIMAL INCH TOL: .X ±.1, .XX ±.01, .XXX ±.005, .XXXX ±.0005
ANGULAR: ±.5°
BREAK CORNERS: .005-.020
FILLET RADII: .005-.020



82 Aero Camino, Goleta, CA 93117
(805) 685-1029 FAX: (805) 685-6787

TITLE		SBL-L	
SIZE	DRAWING NO.	REV	
B		-	
SCALE: 1:5		SHEET 1 OF 1	