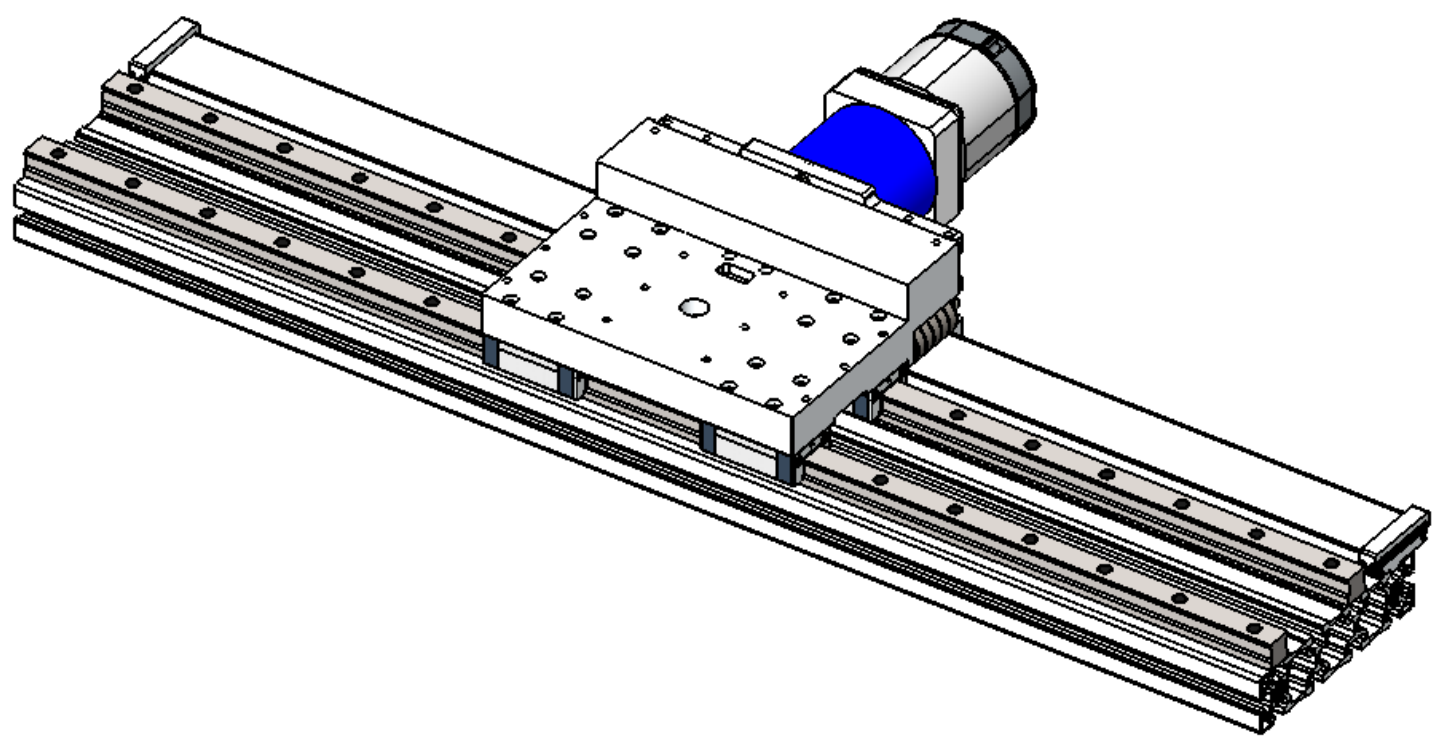
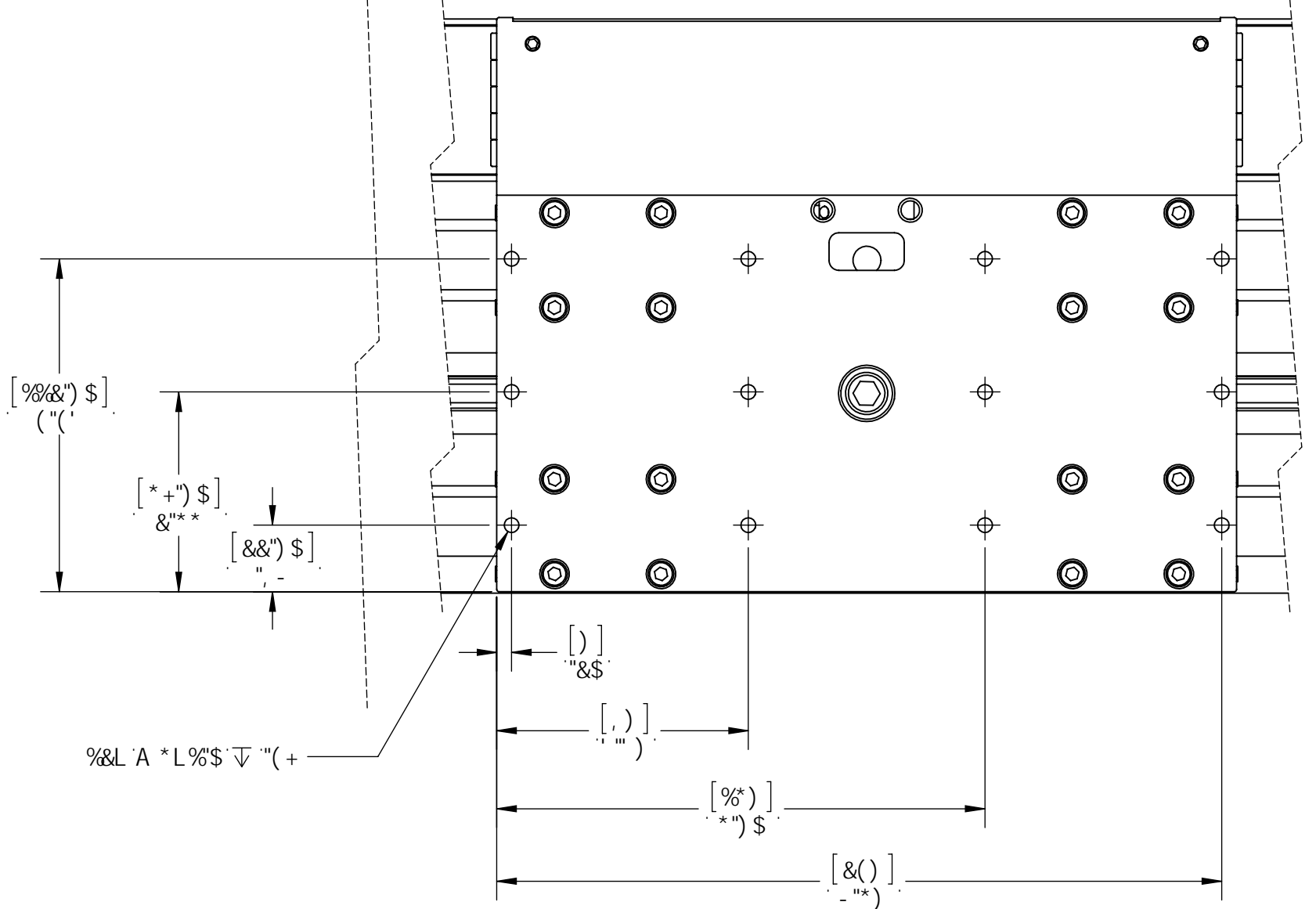
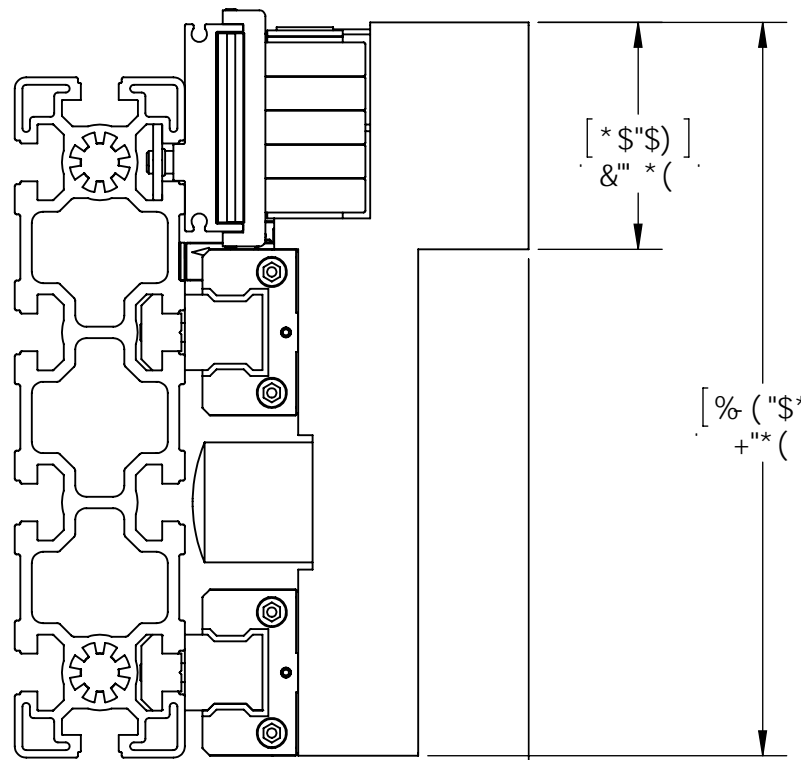


H:9 B: CFA 5HC B 7 CBH5 B98 B H:G 8F5K B: G H:9 GC @ DFCD9FHM C:
 69 @ 9J 9FA 5BZ B7 5BMF9DFC 8I 7HC B B D5FHCF K < C @ K H:CI H
 H:9 K F H@B D9FA GGC B C: 69 @ 9J 9FA 5BZ B7 G DFC < 6H@B

8
7
6
5



B A 9BGC BG5F9 B B7 < 9G1 B @GGC H:9FK @9GD97 + 982
 HC @9F5B7 9G5F9 897 A 5 @B7 < HC @ L ± %
 5B: I @F. ± ° "LL ± % \$ %
 6F95? 7 C FB9FG "\$S)!"\$&\$ "LLL ± % \$ \$)
 : @9HF58 = "\$S)!"\$&\$ "LLLL ± % \$ \$)

Bell Everman i G@: / O@ a | E@ | ca | F@ | HFI
 ç e | D | | F@ | G | A | C | C | K | e | D | | E | I | I | I |

H H @ 9
G6@ < () I % \$ 75FF-5; 9

G@9 8F5K B; BC "	F9J
6	!

G7 5 @ . % & G< 99H % C : %