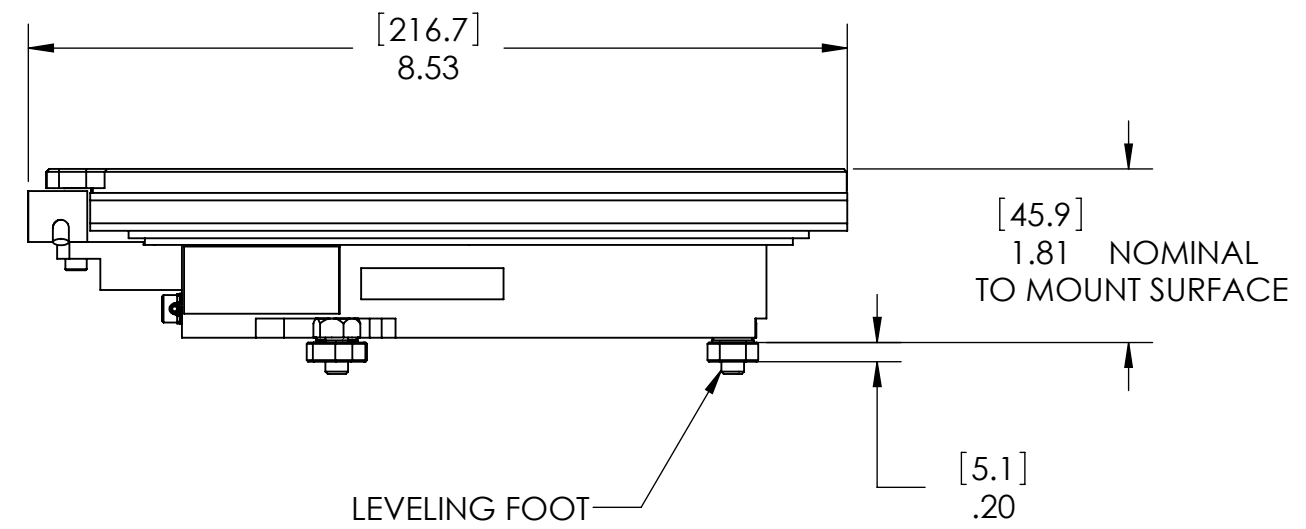
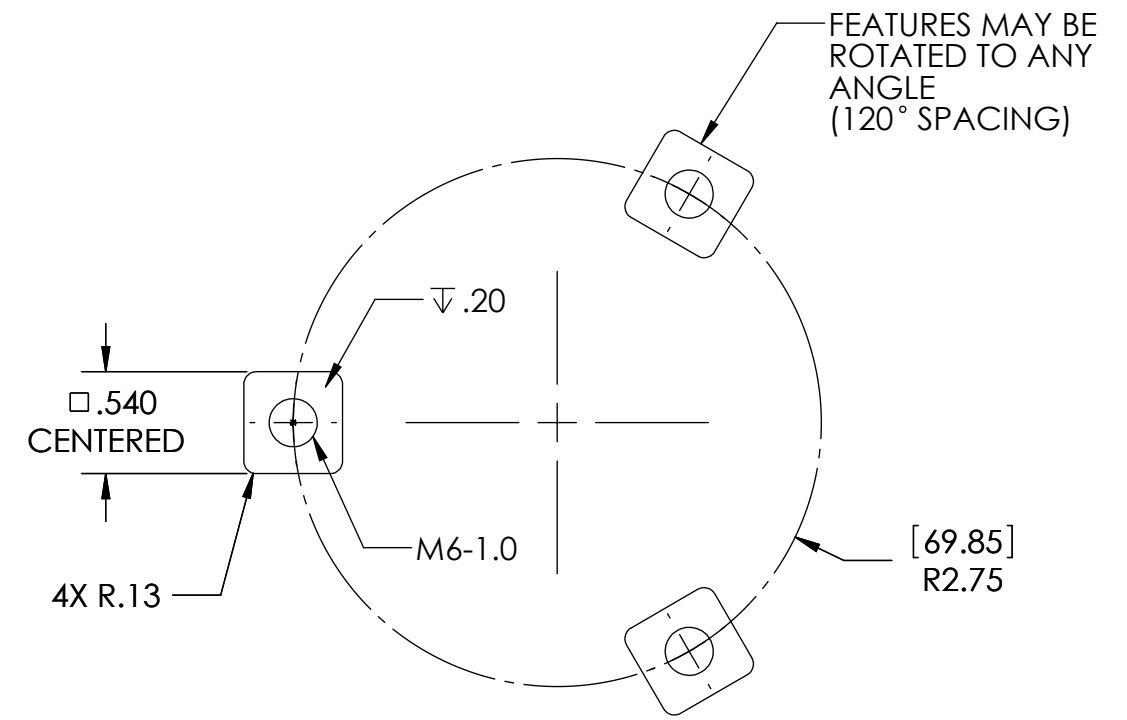
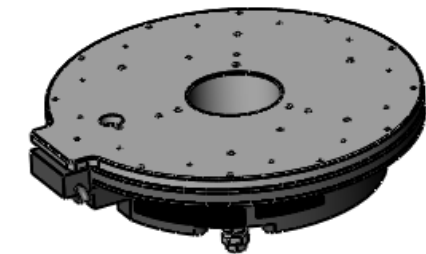
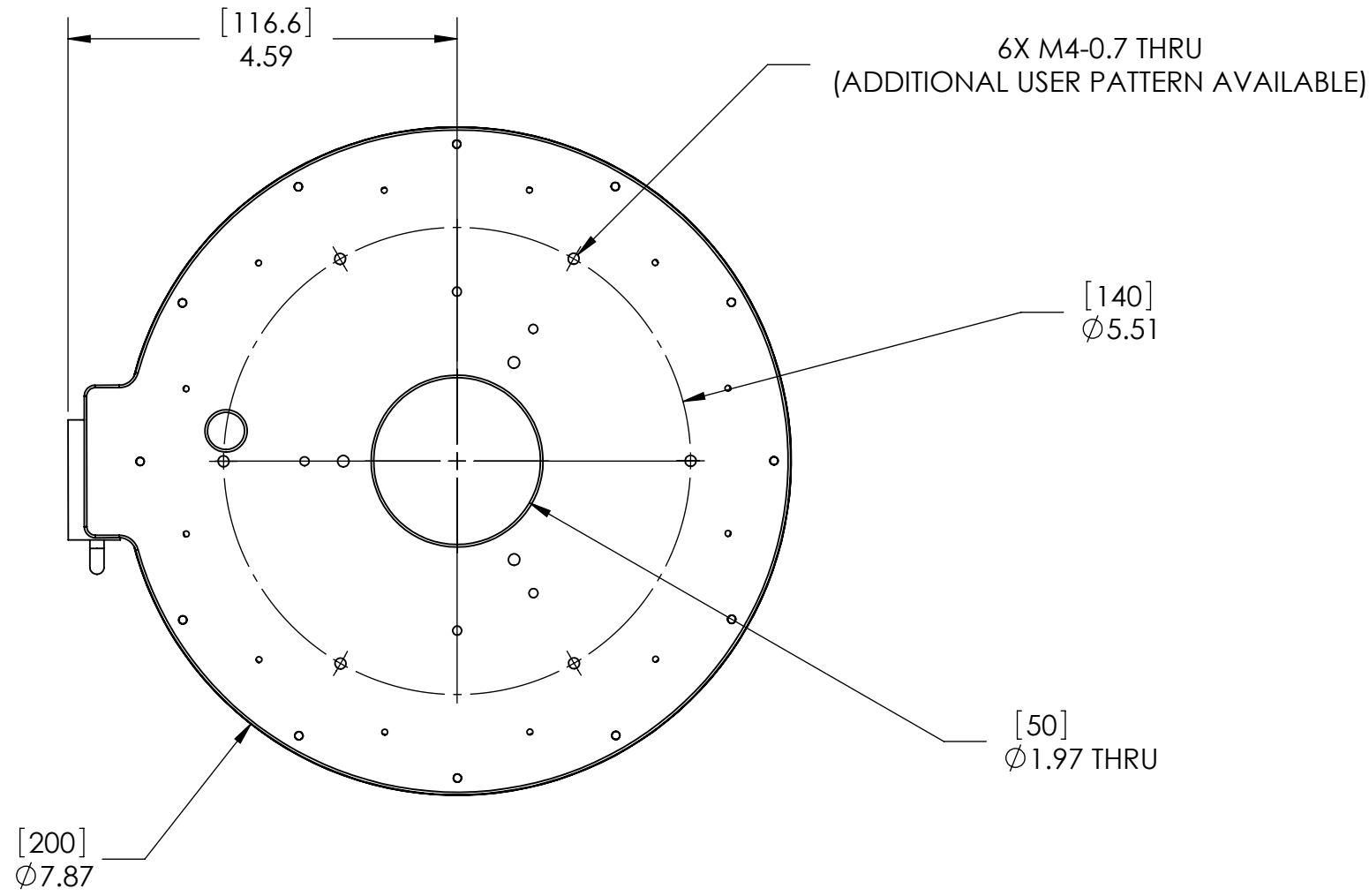


THE INFORMATION CONTAINED IN THIS DRAWING IS THE SOLE PROPERTY OF BELL-EVERMAN, INC. ANY REPRODUCTION IN PART OR WHOLE WITHOUT THE WRITTEN PERMISSION OF BELL-EVERMAN, INC. IS PROHIBITED.



DIMENSIONS ARE IN INCHES UNLESS OTHERWISE SPECIFIED.  
 TOLERANCES ARE: DECIMAL INCH TOL: .X  $\pm$ .1  
 .XX  $\pm$ .01  
 .XXX  $\pm$ .005  
 .XXXX  $\pm$ .0005  
 ANGULAR:  $\pm$ .5°  
 BREAK CORNERS: .005-.020  
 FILLET RADII: .005-.020

		82 Aero Camino, Goleta, CA 93117 (805) 685-1029 FAX: (805) 685-6787	
TITLE		<b>DDT-200</b>	
SIZE	DRAWING NO.	REV	
B		-	
SCALE: 1:2		SHEET	1 OF 1