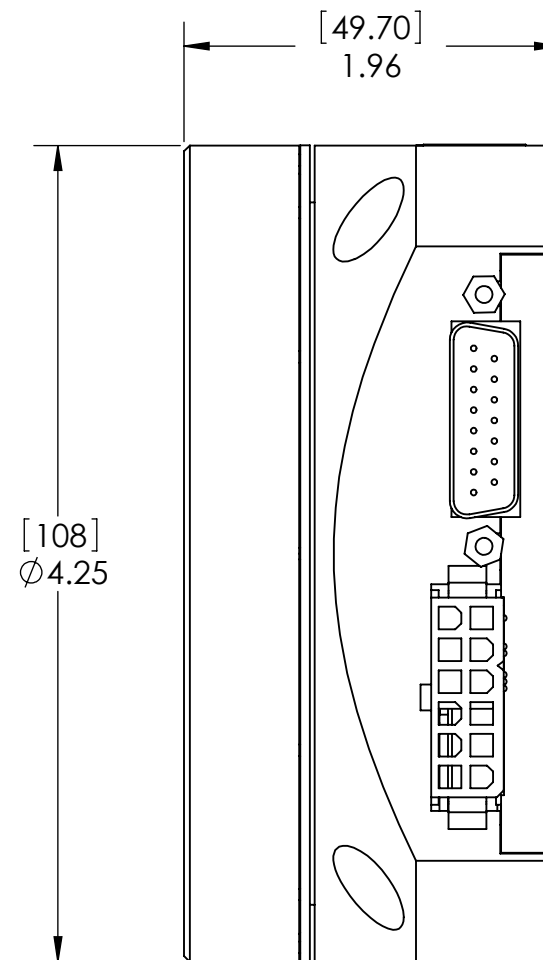
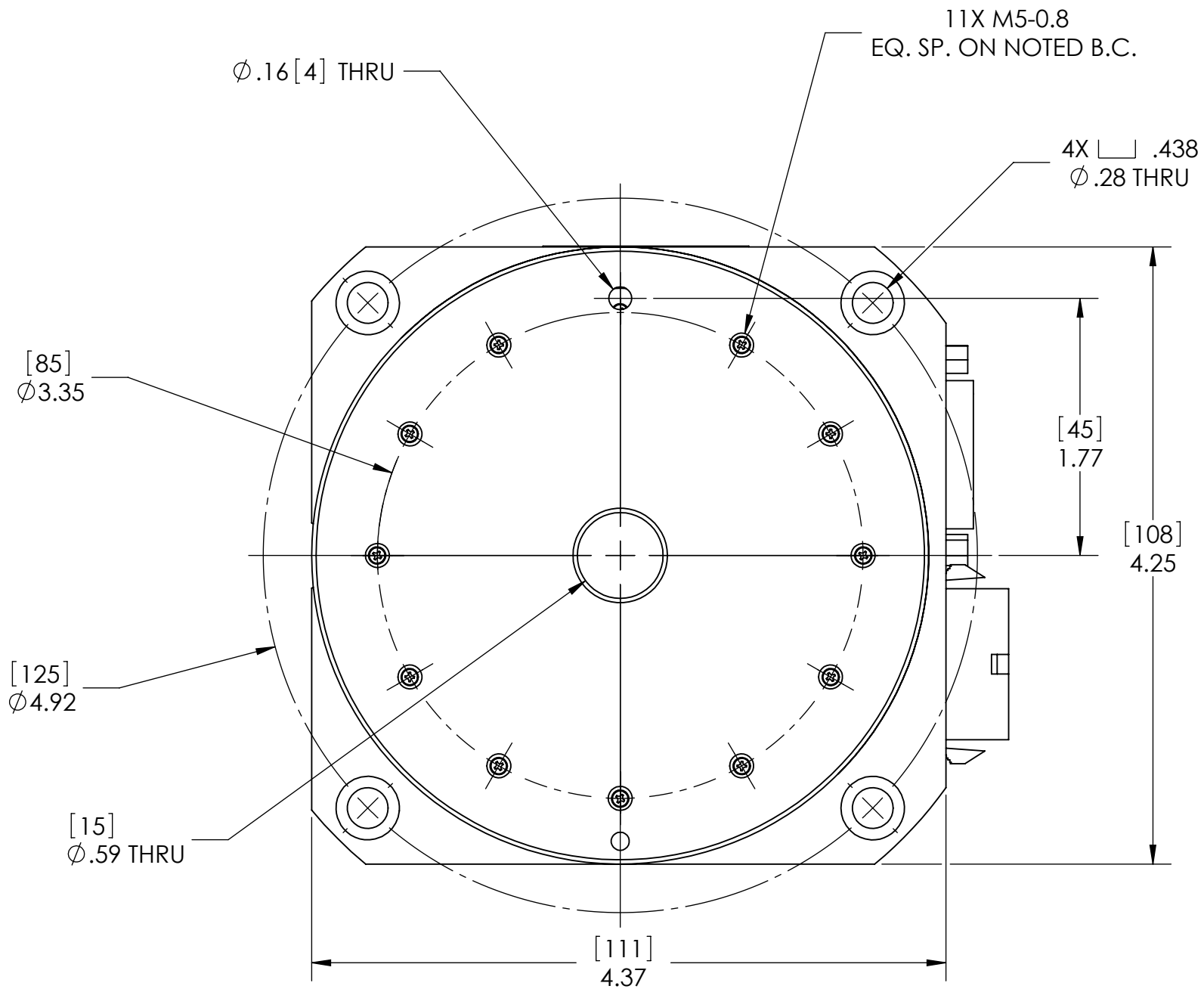
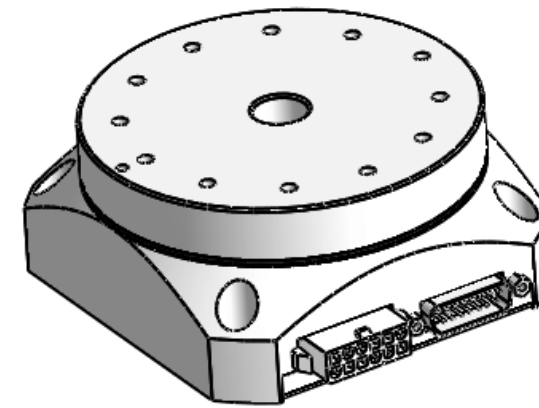


THE INFORMATION CONTAINED IN THIS DRAWING IS THE SOLE PROPERTY OF BELL-EVERMAN, INC. ANY REPRODUCTION IN PART OR WHOLE WITHOUT THE WRITTEN PERMISSION OF BELL-EVERMAN, INC. IS PROHIBITED.



DIMENSIONS ARE IN INCHES UNLESS OTHERWISE SPECIFIED.  
 TOLERANCES ARE: DECIMAL INCH TOL: X  $\pm .1$   
 .XX  $\pm .01$   
 .XXX  $\pm .005$   
 .XXXX  $\pm .0005$   
 ANGULAR:  $\pm .5^\circ$   
 BREAK CORNERS: .005-.020  
 FILLET RADII: .005-.020



82 Aero Camino, Goleta, CA 93117  
 (805) 685-1029 FAX: (805) 685-6787

TITLE		<b>DDT-100</b>	
SIZE	DRAWING NO.	REV	
B		-	
SCALE: 2:3		SHEET 1 OF 1	